

Gate Valve GT-200

Gate valves serve as efficient on-off valves with flow in either direction. In such a design, a wedge slides across a general passageway in order to control fluid flow (like a sliding gate - hence, the name). One of the most significant characteristics of this type of valves is its straight-through, unobstructed passageway when set in the “full open” position. This is made possible by the wedge lifting entirely out of the passageway. As a result, gate valves are characterized by a minimum of turbulence and pressure drop in operation. While gate valves are good for applications requiring these two factors, they are not recommended for installations in which regulating flow would be a function. They are designed for on/off service. The design of the wedge and metal seat assures non-clogging shutoff on suspended solids in pipeline.

Features:

- A) **Investment Cast Stainless Steel Body & Bonnet.**
- B) **Integral Stainless Steel Seat, Wedge disc.** The design of the wedge and metal seat assures non-clogging shutoff on suspended solids in pipeline.
- C) **Various threaded standards available.** (NPT, BSPT)
- D) **Non-rising stem.**
- E) **Full bore construction.**
- F) **Handle** wheel operated.
- G) **Disassembly** is very convenient
- H) **DIN EN10204-3.1** Certificate Available.

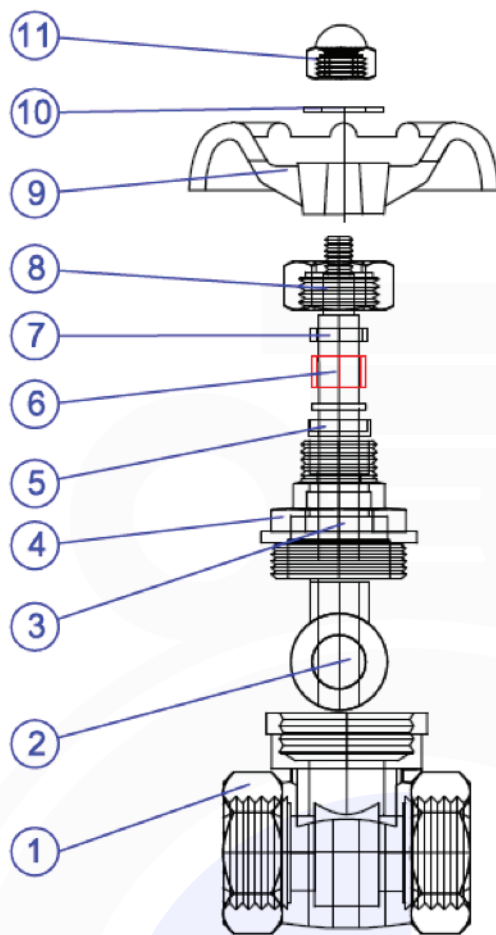
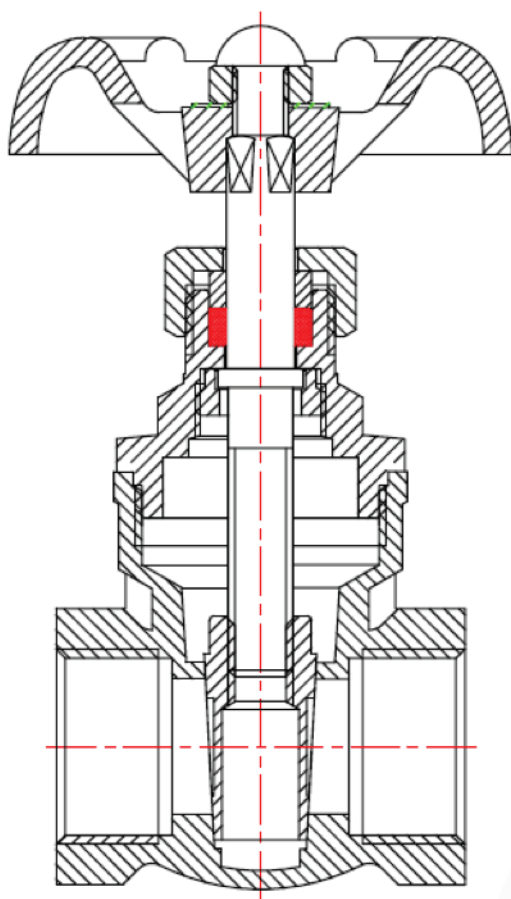


Technical Data

1. Size range: NPS 1/4"~2"
2. Pressure ratings: 200 PSI / CWP
3. Working temperature: -29°C ~ +200°C
4. Applications for Hydraulic, Chemical, Steam, Oil/ Gas, Oxygen, Vacuum.
5. Body Material: A351 CF8M
6. Wedge Material: A351 CF8M
7. Stem Material: A276 SS316
8. Seat: A276 SS316

Performance Standard

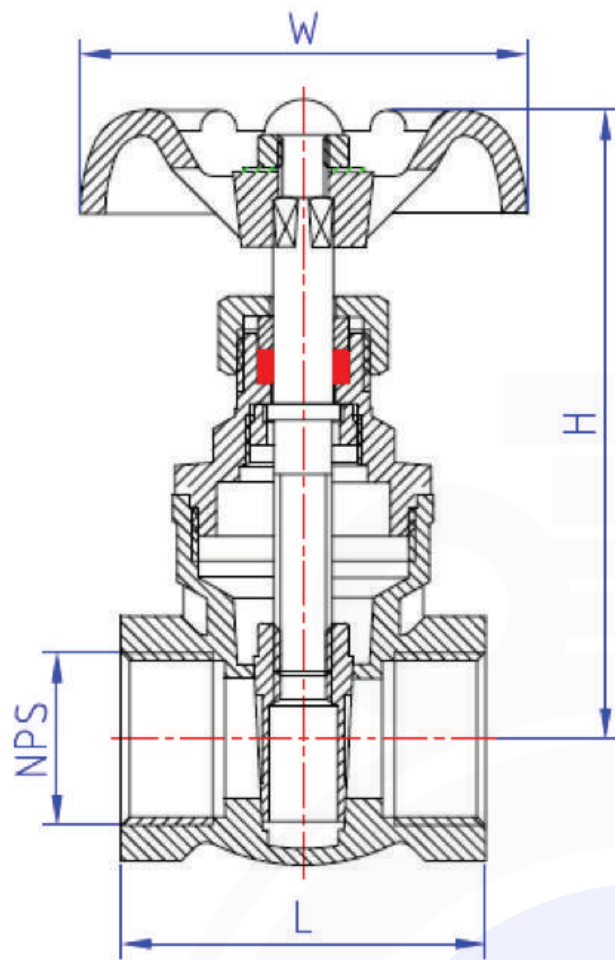
1. Design & Manufacture standard as to: ASME B16.34
2. Face to Face dimension standard as to: MFR-STD
3. Threaded dimension conforms as to NPT :ASME B1.20.1
BSPT :ISO 228
4. Testing And Inspection as to: API 598 / MSS SP-110
/ EN 12266
5. Pressure-temperature conforms as to: ASME B16.34
6. Anti Corrosion as per NACE MR-0175(2002) requirement



Part List:

Gate Valve GT-200

No.	Part Name	Material	Standard
1.	Body	CF8M / SS316	ASTM A351
2.	Wedge	CF8M / SS316	ASTM A351
3.	Stem	F316	ASTM A182
4.	Bonnet	CF8M / SS316	ASTM A351
5.	Stem Retainer	F316	ASTM A182
6.	Packing	PTFE	MFR-STD
7.	Packing Bushing	SS316	ASTM A276
8.	Packing Gland	CF8M / SS316	ASTM A351
9.	Hand Wheel	Ductile Iron	ASTM A536
10.	Washer	SS304	ASTM A276
11.	Locking Nut	8	ASTM A194



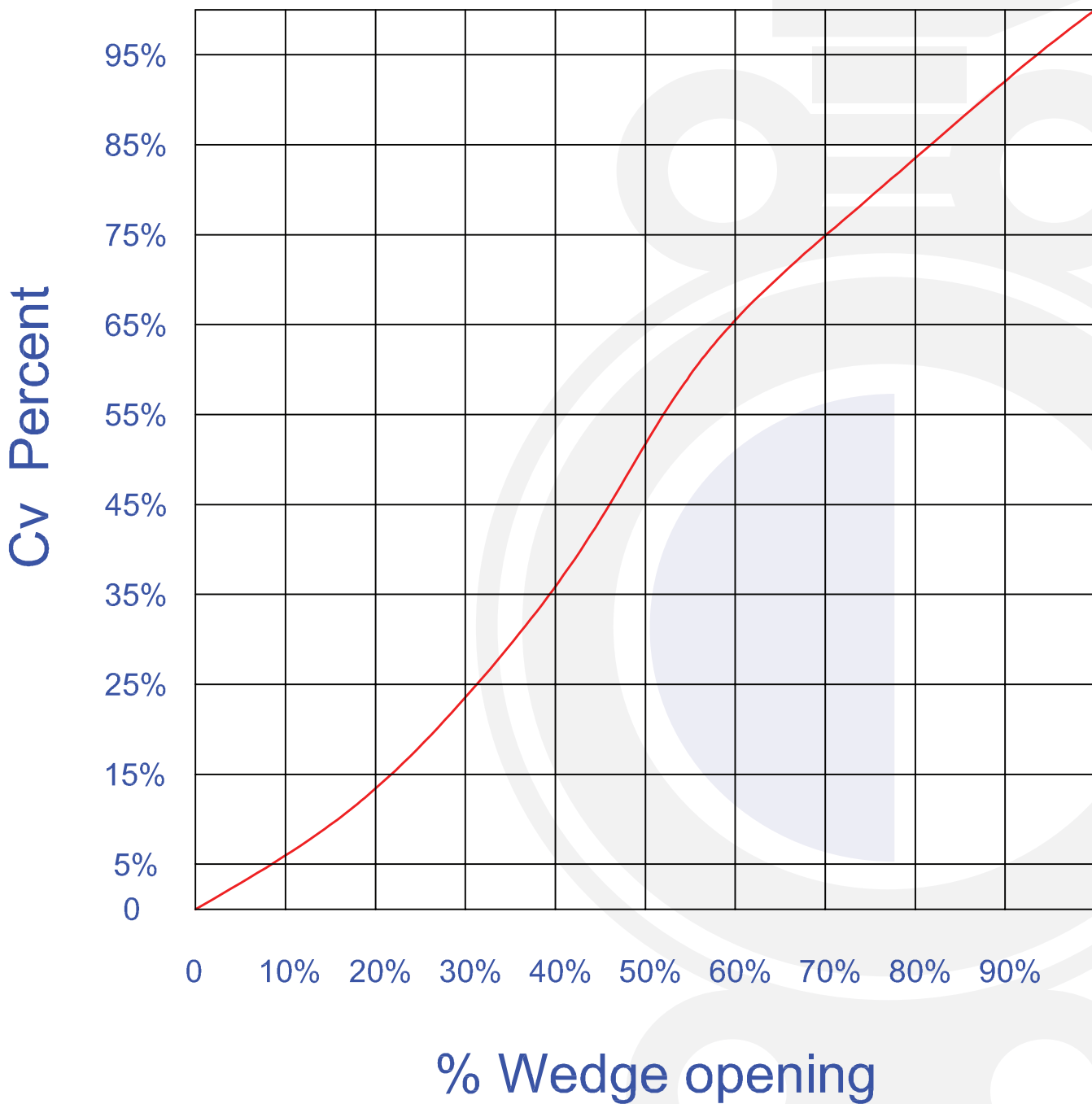
Main Dimensions:

Gate Valve GT-200

NPS	NPT	d	L	H	W	Weight (Kg)
1/4"	1/4"	8	52	93	70	0.39
3/8"	3/8"	10	52	93	70	0.39
1/2"	1/2"	15	52	93	70	0.379
3/4"	3/4"	20	58	105	70	0.47
1"	1"	25	63	115	80	0.61
1 1/4"	1 1/4"	32	71.5	130	80	1.15
1 1/2"	1 1/2"	39	74	145	100	1.298
2"	2"	48	84	170	100	1.718
2 1/2"	2 1/2"	65	106	200	125	2.65
3"	3"	79	116	218	125	4.05
4"	4"	100	140	265	150	8.65

SBM PTV Engineering Data

Gate Valve Opening-Cv characteristic graph



ORDERING CODE:

Example: GT200-22-200

Model: Gate Valve GT-200

Body and Trim SS316

Thread NPT

Size 2"

Available Body Material Code:

SS304 CF8 Stainless Steel: 1

SS316 CF8M Stainless Steel: 2

SS316L CF3M Stainless Steel: 3

Available Trim Code:

SS304 CF8 Stainless Steel: 1

SS316 CF8M Stainless Steel: 2

SS316L CF3M Stainless Steel: 3

Available Size Code:

¼": 25

3/8": 37

½": 50

¾": 75

1": 100

1 ¼": 125

1 ½": 150

2": 200

2 ½": 250

3": 300

4": 400

